



AIR PURIFIER

Owner's Manual

Original Instructions

GCF350ASNA



GREE ELECTRIC APPLIANCES, INC. OF ZHUHAI

Add: West Jinji Rd, Qianshan, Zhuhai, Guangdong, China, 519070

Tel: (+86-756) 8522218

Fax: (+86-756) 8669426

E-mail: gree@gree.com.cn www.gree.com

Version No.: 190601



600062060458

The product is subject to change without notice.
The graphs in this instruction manual may be different
from the actual products; please refer to the actual products.

Thank you for choosing our product. Please read this Owner's Manual carefully before operation and retain it for future reference.

If you have lost the Owner's Manual, please contact the local agent or visit www.gree.com or send email to global@gree.com.cn for electronic version.

Thank you for choosing our product.
Wish you have a good operation.

Content

Safety Regulation

Safety Regulation 2

Product Instruction

Product Introduction 6

Parts' Name 7

Main Technical Parameters 8

Packing List 8

Product Operation

Notices before Operation 9

Operation Instruction 10

Maintenance

Clean and Maintenance 14

Troubleshooting 17

Exception Clauses

Exception Clauses 18

Please follow this instruction manual strictly for correct operation.

In order to prevent personal injury and property loss, please follow those safety regulations as below.

If you don't follow these safety regulations, wrong operation may cause accident.

Prohibition

- 1.This appliance can be used by children aged from 8 years and above and persons with reduced physical, sensory or mental capabilities or lack of experience and knowledge if they have been given supervision or instruction concerning use of the appliance in a safe way and understand the hazards involved. Children shall not play with the appliance. Cleaning and user maintenance shall not be made by children without supervision.

- 2.Do not use corrosive detergent to clean the unit. The residual detergent in the air purifier will emit toxic gas, which is harmful to health. The residual chlorine or the detergent itself will corrode the unit, which will affect the service life of the unit.

- 3.Do not turn on the unit when operating an aerosol bomb. After using the aerosol bomb, keep the room ventilated completely and then operate the unit. Otherwise, the residual chemical substance will be accumulated in the unit and then released from the air outlet, which will be harmful to health.

- 4.Prohibit burning the filter.

5. Do not insert or pull the power plug with wet hand.
Otherwise, it may cause electric shock.

6. Do not pull or drag the power cord. Otherwise, the power cord may be damaged, which may result in bad contact or short circuit and may even cause fire hazard.

7. Do not pull out the power plug during operation. Otherwise, it may cause fire hazard or electric shock.

8. Never insert fingers or other objects into the air inlet, air outlet or other seams. Otherwise, it may cause electric shock, injury, fire hazard or damage the unit.

9. Never disassemble, refit or repair the unit by yourself.
Otherwise, it may cause electric shock, injury or fire hazard.

Follow

1. They shall state that prior to cleaning or other maintenance, the appliance must be disconnected from the supply mains.

2. If the supply cord is damaged, it must be replaced by the manufacturer, its service agent or similarly qualified persons in order to avoid a hazard.

3. This unit is only for residential or similar use. Such as :
 - ※shop, office;
 - ※family inn.

4. Please use the equipped filter provided by the manufacturer.
Otherwise, it may affect the performance or cause damage to the unit.

5. Do not operate or store this product at the following places:
 - ※The place with fumes discharge.
 - ※The place with volatile oil products or inflammable gas, or the place where there may be leakage of similar substances.
 - ※The place with corrosive gas or metal powder. Otherwise, the purification performance will be affected.
 - ※The place that is hot and humid, such as bathroom.
Otherwise, the product's performance will be affected and electric shock or fire hazard may even occur.
 - ※The place that is not flat. Otherwise, the unit may turn over or even cause electric shock, fire hazard or get damaged.
 - ※The place with direct sunlight. Otherwise it may cause discolor of the unit .
 - ※The place where it may be affected by outdoor air, such as at the window, or the place where there is direct air flow from an air conditioner. Otherwise, it will affect the normal operation of sensors.
 - ※Near burning appliances or heating appliances where there is warm air flow. Otherwise, it will affect the normal operation of sensors.
 - ※Hospital, factory, laboratory, photo room or somewhere that deals with chemical treatment. Otherwise, the volatile chemicals or solvent will affect the product performance.


6. Before energization, please make sure whether the filter is installed correctly.

7. This unit can purify the air, but it can't provide fresh air. Users are suggested to open the window for ventilation during operation periodically (for example, every day). When it is used together with burning appliances, please make sure the room is well ventilated; otherwise, it may cause carbon monoxide poisoning or other gas poisoning.

8. Do not put other object on the unit or let object close to the unit. (If the object drops or turns over, it may cause damage to the unit)

9. When placing this unit, make sure it is at least 30cm away from wall, furniture, curtain or other objects. Keep the air inlet and air outlet away from obstacles (such as wall, flowerpot, hanging clothes, cloth or curtain).

10. Before maintaining, checking or moving the unit, please turn off the unit and pull out the power plug. Otherwise, it may cause electric shock or damage the product.

 **Correct Disposal of This Product:** This marking indicates that this product should not be disposed with other household wastes throughout the EU. To prevent possible harm to the environment or human health from uncontrolled waste disposal, recycle it responsibly to promote the sustainable reuse of material resources. To return your used device, please use the return and collection systems or contact the retailer where the product was purchased. They can take this product for environmental safe recycling.

Product Introduction

Features of product

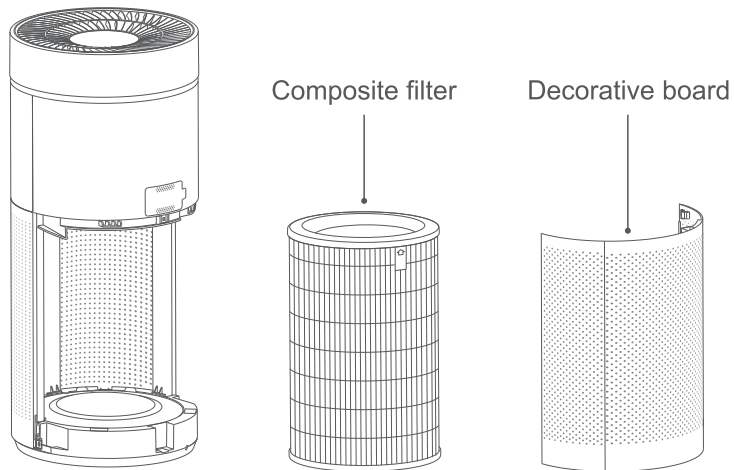
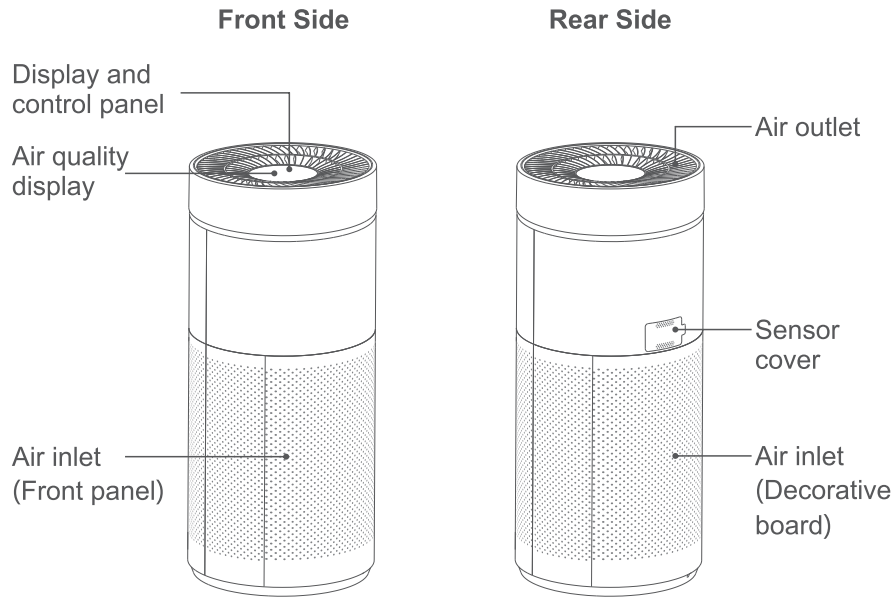
This product adopts the side air intake and top air discharge method. It intakes indoor air and the air passes through the composite filter for fast indoor air circulation for purification, which can effectively remove the particles matters, formaldehyde and allergen.

Working principle

This product is the filter-type air purifier, which adopts HPAC integrated composite filter. It can effectively remove particles matters and formaldehyde.

- ① The primary filter: filtrate hair, dust and other big particle matters;
- ② Modified activated carbon: formaldehyde CADR is up to 200m³/h; CCM is F4 class;
- ③ Composite HEPA filter paper: increase electrostatic fibre and particle matters CCM is up to P4 class;
- ④ Spray coating: increase the strength of filter structure and prolong the service life.

Parts' Name



Note: The quantity of attached accessories and the structure diagram is subject to change without notice. Please refer to the current product.

Main Technical Parameters

Model	GCF350ASNA
Rated voltage	220-240V~
Rated frequency	50/60Hz
Rated power input	25W
Clean air delivery rate of particles(CADR particles)	350m ³ /h
Clean air delivery rate of formaldehyde(CADR formaldehyde)	200m ³ /h
Noise	58dB(A)
Product dimension	Φ292×663(mm)

Note: If above parameters are changed, please refer to the product.

Packing List

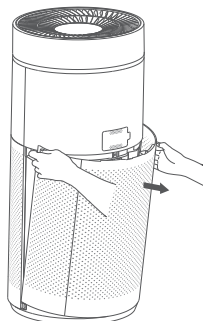
Name	Quantity
Air purifier	1 set
Operation instruction	1 copy
GREE+ App Operation Manual	1 copy

Notices before Operation

When operate the unit for the first time, tear off the sealing plastic bag of composite filter and then install the composite filter according to the following procedures before putting through the power.

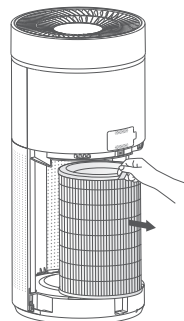
1. Remove the decorative board

Hold both sides of the top panel with both sides and then remove the decorative board.



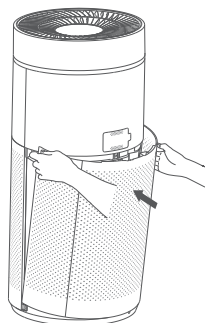
2. Install the composite filter

Take out the composite filter and then tear off the sealing plastic bag of filter.

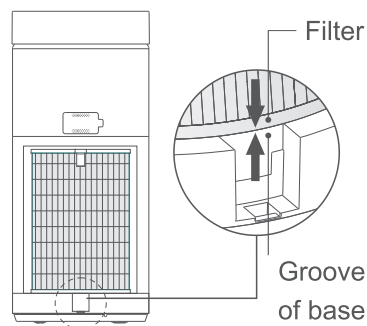


3. Install the decorative board

Put the clasps at the bottom of the decorative board into the groove, press the upper end of decorative board and then install the decorative board well.

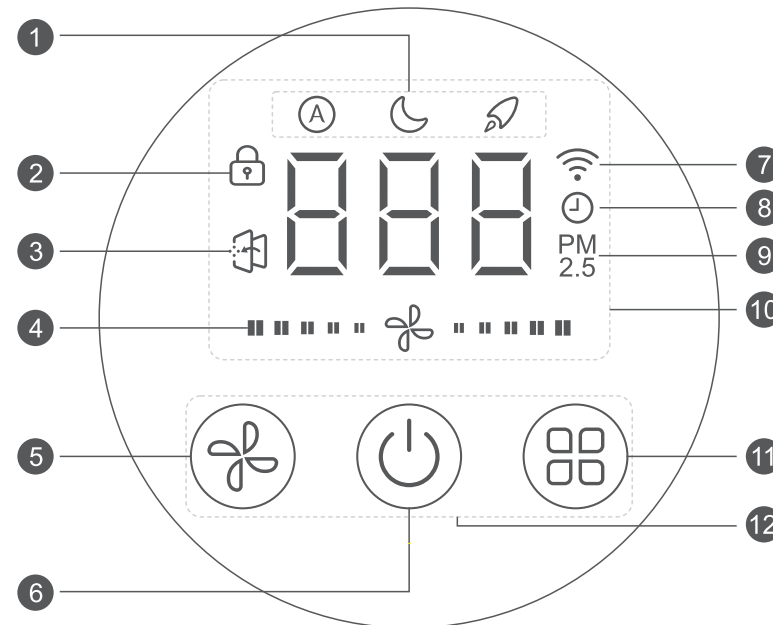


When installing the filter, the label with the characters of "FRONT" faces outwards. Align the filter at the groove at the middle of the base to make sure the filter is installed well.



Operation Instruction

Display and control panel



- | | |
|-------------------------------|-------------------------|
| 1 Mode status display | 7 WiFi status display |
| 2 Child lock status display | 8 Timer status display |
| 3 Filter replacement reminder | 9 Air quality indicator |
| 4 Fan speed status display | 10 Display part |
| 5 Fan speed button | 11 Mode button |
| 6 ON/OFF button | 12 Operation part |

Note: PM2.5 value may be different when it detected by different measuring method and measuring instrument. The data is only for reference.

The air quality is displayed by the PM2.5 icon on the control panel. Under the working status except the sleep mode, the icon will always on. The light color will automatically change according to the air quality. It's in green when the quality is good, in blue when the air quality is general and in red when the air quality is bad.

▣ Operation Instruction

Put through the power

- Once the complete unit is put through the power, the display panel will be on for 2s and give out sound. The "⏻" button is in red.

Note: The energization status as above indicates the standby status.

Turn on the unit

- Under standby status, if the timer on smart phone App is turned on, when time is reached, the unit will be turned on.
- This product is with power-off memory function. The mode and the speed all can memory the previous status before the unit is turned off. If turn on the unit for the first time, the defaulted status is auto mode and notch 2 fan speed.
- Under standby status, press "⏻" button to turn on the unit. All buttons are in white and corresponding mode icon will be on. The current PM2.5 will be displayed on the display panel.
- When there's no operation for 40s during the operation, the display panel and all buttons will enter into half-light status, Under half-light status, press other buttons except "⏻" button and then screen will resume to the highlighted status.

Note: When the unit has been turned on just now, PM2.5 value is not stable. The screen displays "---". The display will be normal when the value is stable.

- Under sleep mode, the air quality indicator is off. PM2.5 digital display and fan speed status display will be off. When there's no operation for 40s, all other display will be off except "🌙" icon and button indicator are in half-light status.

Mode selection

- When the air purifier is operating, press "⊞" button to select the modes ("Ⓐ" - "🌙" - "🌀").
- Under "Ⓐ" mode, "Ⓐ" icon is on. The air purifier automatically switches the fan speed according to current air quality.
- Under "🌙" mode, "🌙" icon will be on. The air purifier operates at the low fan speed.
- Under "🌀" mode, "🌀" icon will be on. The air purifier operates at the high fan speed.

Fan speed selection

- This product has 5 fan speeds.
- Under on status, the fan speed will change once after each pressing of "🌀" button and the fan speed will change in the sequence of "1→2→3→4→5" circularly.
- Under any working modes, press "🌀" button to switch to manual mode and then adjust the fan speed directly.

Timer adjustment

- This function can be operated only on "GREE+"App. Please refer to the "GREE+"App Operation Manual for App download.
- When the timer function on the App is turned on, the "🕒" icon on the control panel of complete unit will be on.

WiFi setting

- When turning on the unit, hold the "⊞" button on the complete unit for 2s to reset WiFi.
- WiFi icon flashes and it enters into WiFi configuration status. At this time, conduct the network configuration by smart phone.
- For operation method in details, please refer to the "GREE+"App Operation Manual.
- This device includes the radio transmitting module whose CMIIT ID is 2018DP1940.

Child lock setting

- Press "🔒" button on smart phone App to turn on or turn off child lock.

Turn off the unit

- Under on status, press "⏻" button to enter into the standby status.
- Under on status, if turn on timer on App, when time is reached, the unit will enter into the standby status.

Replace filter

- When the service life of composite filter is over, the icon of "🔧" flashes to remind the user to replace the composite filter.
- Please purchase the composite filter at the designated service provider or customer service center and replace it by referring to the "Notices before Operation".
- Once the composite filter is replaced, put through the power again.
- Hold "⏻" button for 2s to reset it and the complete unit enters into the standby status. Press "⏻" button to turn on the unit again.

Clean and Maintenance**☰ Warm remind**

- ※ The power supply for the air purifier must be cut off before cleaning or maintaining it.
- ※ Do not wash the complete unit with water. Otherwise, it may cause electric shock. Only use soft and dry cloth to wipe the unit.
- ※ Do not use corrosive or volatile and flammable chemicals to clean the product; otherwise, it will damage the appearance.

📌 Clean and maintenance for filter and dust sensor

For the best performance, please clean the composite filter and dust sensor once every 2 months. If the environmental condition is bad, please clean it frequently.

1. Clean and replace the filter

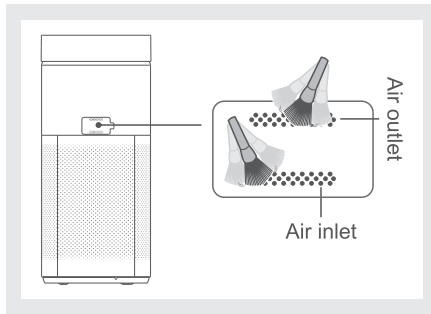
Clean: Take out the composite filter and then use brush or dust collector to clean its surface. After that, reinstall the filter at the unit.

Replacement: Please refer to "Notices before Operation" for replacement.

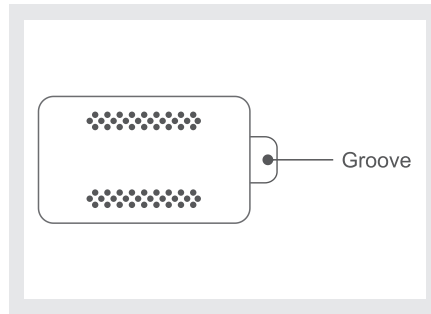
Note:

1. Do not use water or other abluent to clean the composite filter.
2. The composite filter belongs to consumable items, which is not covered by the warranty.

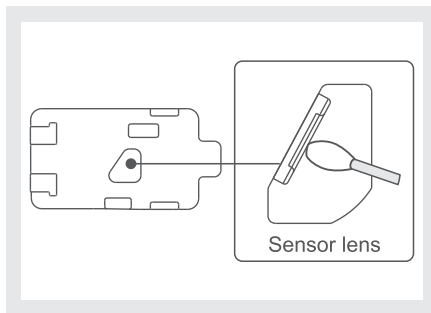
2. Clean the dust sensor



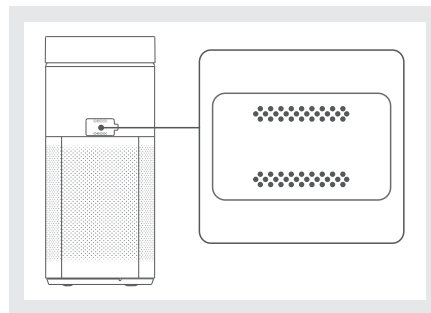
① Clean the air inlet and air outlet of dust sensor.



② Put the finger at the groove, and then open the cover of sensor outwards.



③ Use moist cotton swab to wipe the sensor lens slightly and then use dry cotton swab to wipe it to make sure no water left on the sensor.



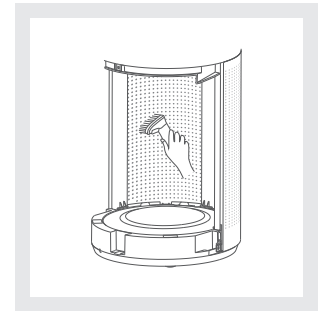
④ Close the cover of sensor.

3. Clean decorative board and front panel

When the unit has operate for a long time, there will be much dust inside the unit. Please clean the decorative board and the panel according to the operation instruction as below.

① The decorative board can be washed by water. Please do not damage the decorative board when washing it. Once the decorative board is washed, hang it up to dry it or wipe it and then reinstall it into the unit. Otherwise, the unit may be damaged.

② Front panel can't be washed by water. Before cleaning, remove the decorative board and the composite filter, and then use dust collector or soft brush or rag to clean the dust attached on the front air inlet of panel. After that, install the composite filter well and then install the decorative board.




Troubleshooting

Please check below items before asking for maintenance service. If the problems still exist, please contact the designated service provider or customer service center.

Unit can't operate

Unit can't operate

- Please confirm whether the power is connected.
- Please confirm whether it connected 220-240V~ 50/60Hz power.
- Please confirm whether the decorative board is installed well.
- Please confirm the remind time for " " is overdue.



"" indicator flashes

- It indicates it needs to replace the composite filter. Please replace the filter at the designated service provider or customer service center and replace the filler by referring to the "Notices before Operation".

Others

When the operation environment is good, the air quality indicator color is always in red

- The dust sensor becomes dirty. Please clean the dust sensor by referring to the "Clean and Maintenance".

PM2.5 value displays "L3/H8/H3/---"(3min above)

- Please contact the designated service provider or customer service center.

Exception Clauses

Manufacturer will bear no responsibilities when personal injury or property loss is caused by the following reasons:

1. Damage the product due to improper use or misuse of the product;
2. Alter, change, maintain or use the product with other equipment without abiding by the instruction manual of manufacturer;
3. After verification, the defect of product is directly caused by corrosive gas;
4. After verification, defects are due to improper operation during transportation of product;
5. Operate, repair, maintain the unit without abiding by instruction manual or related regulations;
6. After verification, the problem or dispute is caused by the quality specification or performance of parts and components that produced by other manufacturers;
7. The damage is caused by natural calamities, bad using environment or force majeure.